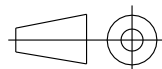
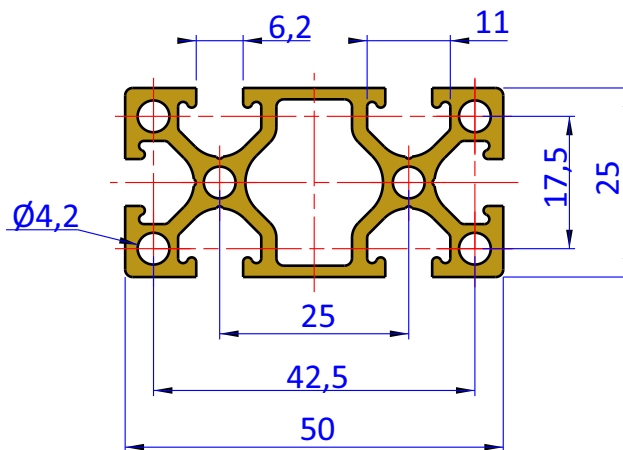
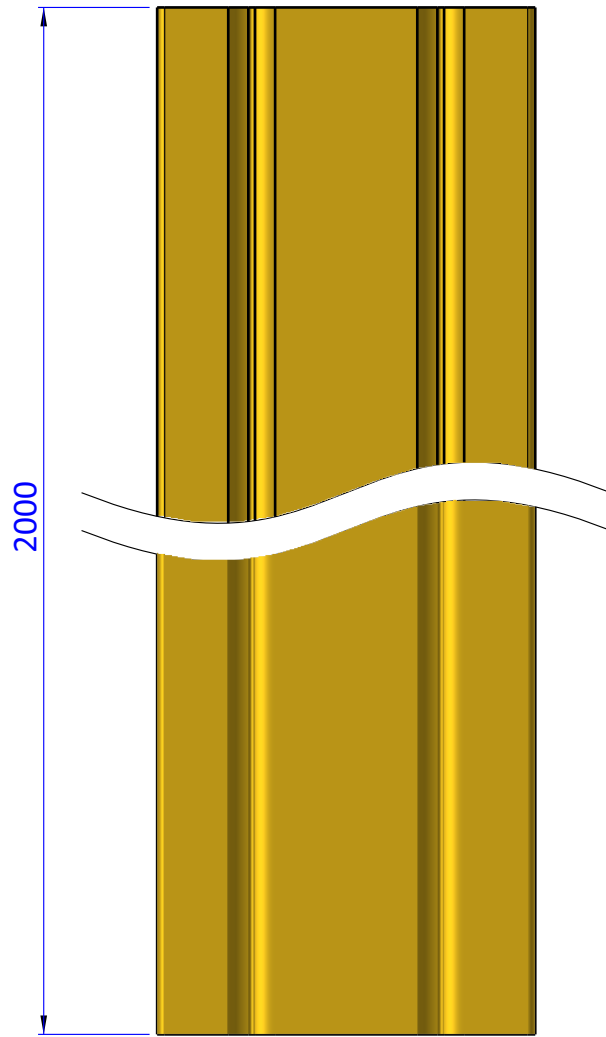


THE PROPERTY OF THE DRAWING IS ESTABLISHED BY LAW. IT IS FORBIDDEN TO PRODUCE OR SHOW IT TO THIRD PART. WITHOUT A WRITTEN AGREEMENT.

Item	Name	Q.ty
1	CA.X.5025.2000G	1



DESIGNED FROM <b>FPS Automation</b>		REVIEW <b>A</b>
DATE <b>16/03/2020</b>	WEIGHT <b>2,311kg</b>	
CODE <b>CA.X.5025.2000G</b>		

Format **A4**

**UNI 936-76**

GENERAL TOLERANCE

UNI - ISO 2768

CLASSE **f**

DESCRIPTION

**CA.X.5025.2000G**